

ROUND MANHOLE BASE FLANGE (CONTINUED)

A	B	C	E	F	Catalog
Cover Dia.	Cover Thk.	Clear Open	Flange Dia.	Frame Ht.	Number
30 1/8	1 1/2	27	35 1/2	6	3164
33 1/8	1 1/2	27	40 1/4	6	3163Z1
29 5/8	1 1/2	28	36	4	1892
29 7/8	1 1/16	28	41 5/16	7 1/4	1470
29 5/8	7/8	28 1/2	36 1/2	5	2760
31 1/2	1 1/2	29 1/4	56	10 1/2	425
31 1/2	1 1/8	29 9/16	44 7/8	7 7/8	1220
31 1/2	1 1/2	29 5/8	37 1/2	4	2230Z1 Rev
31 5/8	1 3/4	29 5/8	38 3/4	6	2010
31 9/16	1 1/8	29 11/16	44 1/2	7 3/4	1266
31 1/2	1 1/2	29 3/4	39	5 1/4	2295
31 1/2	1 1/2	30	39 1/8	5 1/4	2230
31 1/2	1 1/2	30	44 1/4	6	2232
31 3/4	1 3/8	30	41	4	1230
31 3/4	1 3/8	30	41	6 1/2	1232
31 3/4	1 3/8	30	41 1/2	7 1/2	1370
31 3/4	1 3/8	30	41	8	1234
31 7/8	1 3/8	30	34 7/8	2 3/8	V-1700-4
31 7/8	1 3/8	30	38	4	V-1600-4 Rev
31 7/8	1 3/8	30	40 1/4	6 7/8	V-7032
31 7/8	1 1/2	30	40 3/4	4 1/2	V-1420/1480Z1
31 7/8	1 1/2	30	40 3/4	6	V-1420
31 15/16	1 3/8	30	46	5 5/8	1820
31 15/16	1 3/8	30	49	5 5/8	1822
31 15/16	1 3/8	30	41 Sq.	7	8027
31 15/16	1 3/8	30	48 3/4	10	1810
32	1 1/2	30	38	4	1480 Rev
32	1 1/2	30	40 1/4	4 7/8	V-1432
32	1 1/2	30	46	6 1/2	1320
32 1/8	3/4	30	34	1 1/2	1136
33 1/8	1 1/2	30	38 1/2	6	3163
37 7/16	1 1/2	30	45 SQ	11 13/16	1830
31 15/16	1 3/8	30 1/16	46	10	1825
32 1/2	2	30 1/16	41 3/4	9	1895
32	1 1/2	30 1/4	40	6 1/2	1322
32	1 1/2	30 9/16	42	8 1/2	V-1419
34 1/8	1 1/2	31 9/16	40 1/2	4	1161Z1
34 1/8	1 1/2	31 3/4	40 1/2	4	1161
33 3/4	1 3/8	32	46 SQ	5	V-7069-1
34 1/4	1 1/2	32	40	4	1475Z1
34 1/4	1 1/2	32 3/16	38 1/2	4	1475 Rev
34	1 1/2	32 1/4	38 1/2	4	V-1610-6 Rev
34 3/4	1	33	41 SQ	4	V-7070
35	2	33	44	6	1330
38	1 1/4	33 1/8	48 1/2	6	3166
35 3/4	1 1/8	34	45	5 1/4	2455
36	1 1/8	34	45	7 1/2	2228
36	1 1/2	34	45	4 1/2	1586
36	1 1/2	34	45	8 1/2	1585
36 3/4	2 7/16	34	45	4	1990
38 5/16	1 1/2	34	45	10 1/8	1583
37	2 9/16	34 1/4	46 3/4	6	1588
37	2	35	47 SQ	8	V-7068

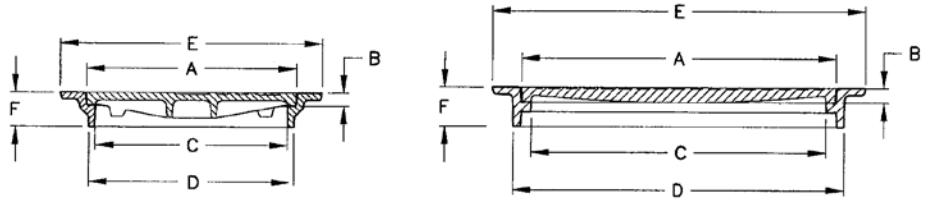
Note: All dimensions are in inches. Rev = Reversible

A	B	C	E	F	Catalog
Cover Dia.	Cover Thk.	Clear Open	Flange Dia.	Frame Ht.	Number
37 1/4	1 5/8	35 1/4	44 SQ	5	V-7067
37 1/2	1 1/2	35 3/8	46	8	1995
38	2	35 3/4	46	6	V-1600-5 Rev
37 3/4	1 1/2	36	52 SQ	10	1833
37 7/8	1 1/2	36	46	10	1812Z2
38	1 1/4	36	44	6	3106
38 1/4	1 5/8	36	44	6	3144
38 5/16	1 1/2	36	46	4 1/2	1581 Rev
39 1/8	1 1/2	36	44 1/2	6	3165
38	2	36	46	6	V-7058
38	2	36 1/8	40 5/8	3	V-1700-5
39 13/16	3	38	46 SQ	7 1/4	289
39 5/8	1 1/2	38 1/4	44 1/2	4	V-1610-7 Rev
40 5/8	1 3/4	39 1/8	50 1/8	4	430
44 1/8	2 1/2	41 13/16	61 x 50	4	8025
44 1/4	2	41 3/4	51 3/4	4	1843
44 1/8	2 1/2	42	62 x 50	6	8026
44 1/4	1 1/2	42	55	8	1986
44 1/4	2	42 1/4	51 1/2	4 1/8	1845Z1
45 3/4	1 1/2	43 3/4	50 1/2	4	V-1610-8 Rev
45 3/4	7/8	44 1/8	53 1/4	5.75	3109
45 3/4	1 1/2	44 1/2	56	10	V-7046
50	2	48	59	10	1985
50 1/4	2	48	52 1/2	3	V-1700-6
50 1/4	2	48	56 1/2	6	V-1600-6 Rev
50 1/2	2	48	62	10	V-7048



ROUND MANHOLE TOP FLANGE

EJIW is continually adding new construction castings and drainage grates to our product offering. Please consult with your EJIW representative or email us at [ejisales@ejiw.com](mailto:ejisales@ejiw.com) to request a sales drawing not shown in this catalog.



A	B	C	D	E	F	Catalog
Cover Dia.	Cover Thk.	Clear Open	Flange Slv. OD	Flange Dia.	Frame Ht.	Number
6 1/4	5/8	5 1/2	6 5/16	8	1	2820
7	1	6	6 13/16	15 1/4	3	440
7 1/4	11/16	6	6 3/4	10 1/8	2 1/2	2790
7 7/8	1	6 1/2	7 15/16	9 5/8	10	2965
8 5/16	1	6 3/4	8 15/16	9 3/4	10	2967
8 1/4	3/4	7 1/8	7 3/4	9 7/16	6 1/4	2970
10 1/4	1 1/2	7 1/2	11 1/2	14 1/2	4	V2610-1 Rev
8 1/2	11/16	7 5/8	8 3/8	10 3/16	1 11/16	2840
9 5/8	13/16	8	10 5/16	12 1/2	2 5/16	2885 Rev
10	1/2	8	10	17	8	1576
9 5/8	3/4	8 3/8	9	10 5/8	7 1/2	2975
10 1/2	7/16	8 3/8	9 1/2	11 3/8	3 1/4	3670
9 3/4	9/16	8 7/16	9 3/8	14 1/4	2 1/4	2790-8"
10 1/4	1 1/2	8 1/2	11 1/2	14 1/2	4	V-1610-1 Rev
13 1/4	1 1/2	11 1/2	14 1/2	17 5/8	4	V-1610-2 Rev
14 3/8	5/8	13 7/16	14 3/16	17 15/16	3	2790-12"
16 1/4	1 1/2	14 3/8	17 1/2	20 1/2	4	V-1610-3 Rev
16 3/4	3/4	15 5/16	17 7/8	20 5/8	2 3/8	2890
17 1/4	1 1/4	15 13/16	18	21 7/8	3	2982
17 7/8	1	16 1/4	19 3/4	24 7/8	7	1846Z2
18	1	16 1/2	19 1/2	22 3/4	3	2912 Rev
18 7/8	7/8	16 1/2	18 3/4	22	3 13/16	102L
19 7/16	7/8	16 1/2	18 3/4	22 1/8	3 13/16	3034
17 7/8	1	16 5/8	18 1/4	19 7/8	4 1/2	1846Z3
17 7/8	1	16 3/4	20 1/2	24 5/8	3 1/2	1846Z1
20	1 1/4	17 1/8	20 15/16	23 3/16	3	V1815
19 1/4	1	17 11/16	19 1/2	38	3 1/2	1110
20	1	17 3/4	21 3/4	29	3 5/8	2982
20 1/2	5/8	18	21	24	3 1/2	3015
19 1/4	1 1/2	18 1/8	20 1/2	24	4	V1600-1 Rev
19 13/16	5/8	18 1/4	21	24	3 1/4	2900
20	1	18 1/2	21 1/16	29	5 3/8	2990
20 1/2	1 1/2	18 3/4	19 1/2	21 7/16	4	3010
21 3/4	1/2	19	21 1/2	24 3/4	1 1/2	2955
20	5/8	19 1/4	20 1/4	25 1/4 Sq.	2 3/4	8065
22 9/16	3/4	19 7/8	21 3/4	24 1/2	4	V-1867

A	B	C	D	E	F	Catalog
Cover Dia.	Cover Thk.	Clear Open	Flange Slv. OD	Flange Dia.	Frame Ht.	Number
21 3/4	1 1/8	19 13/16	23 1/2	34	4	2850
22	1 1/2	20	23 1/4	31	4	1135 Rev
22	1 1/2	20	23	28	4	2935
21 7/8	1 1/2	20 1/4	23 5/8	26 5/8	4	V1610-4 Rev
22 3/4	1 3/4	20 3/8	23 3/4	34	4	2995
21 3/4	1	20 1/2	21 7/8	28	3 1/4	2755
22	1 1/2	20 1/2	23 1/4	26 1/2	4	1490Z2 Rev
23 5/16	3/4	20 1/2	22 3/4	26 3/8	4	106-4L
23 3/8	3/4	20 1/2	22 3/4	26 3/8	6	106-6L
23 3/8	3/4	20 1/2	22 3/4	26 3/8	8	106-8L
22 3/4	1 3/4	21	24	34	4 1/2	2996 Rev
23	7/8	21 9/16	23	28	4	2915
23 1/4	1	21 3/4	23 3/8	25 1/2	6	V-1886
23 1/2	1 7/16	21 3/4	24 3/4	28 1/2	4	V-2800-2
23 7/8	1	21 3/4	23 1/2	29 1/4	4	2416
23	3/4	21 13/16	23 7/8	27 5/8	3	2910
23 1/2	1	21 13/16	24 1/2	26 7/8	6	V-1883
23 1/4	1	21 7/8	25 1/8	36	5	1622 Rev
23 1/2	1 1/2	21 3/4	24 3/4	28 1/2	4	V-1600-2
23 1/4	1	21 7/8	24 1/2	36	5	1622Z1 Rev
23 3/4	1	21 7/8	23 3/4	30	4	2925
23 1/4	1	22	24 3/4	30	4	2132Z1 Rev
23 1/2	1 1/2	22	24 3/4	30	6	V-1814
23 5/8	7/8	22	23 1/2	28 1/2	5 1/2	1851Z2
23 5/8	7/8	22	24	33 1/2	6	1851Z1
23 5/8	7/8	22	23 3/8	28 1/2	6	1851Z3
23 3/4	2	22	25	30	4 3/4	2982
24	3/4	22	25 1/2	30	4	3000
24	1 1/2	22	23 7/16	30	4	2860
24	2	22	25 1/4	32	5	1842
24	3	22	26	32	7 1/2	1272 Rev
24 1/4	3/4	22	23 13/16	29	3 1/2	1855
23 3/4	7/8	22 1/8	24 1/2	28 1/2	4	2790-21
24	2 3/4	22 1/8	23 11/16	28 1/2	6	V-1874
23 5/8	1/2	22 1/4	24 1/2	28	4	V-1865
23 3/4	1 1/4	22 3/8	23 3/4	31 1/2	4	2855

Note: All dimensions are in inches.  
Rev = Reversible

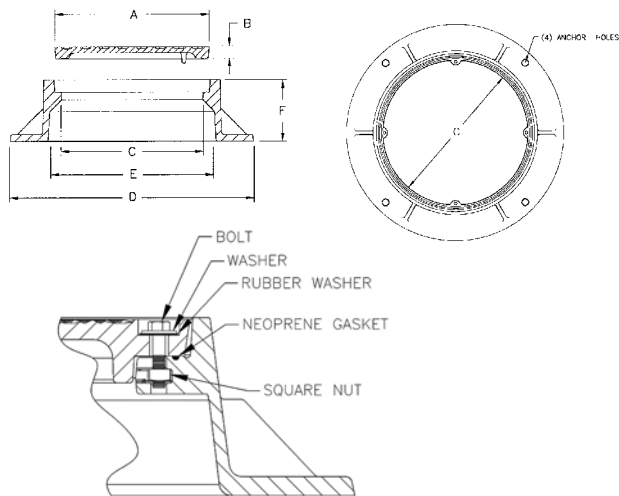
**ROUND MANHOLE TOP FLANGE (CONTINUED)**

A	B	C	D	E	F	Catalog
Cover Dia.	Cover Thk.	Clear Open	Flange Slv. OD	Flange Dia.	Frame Ht.	Number
24	2 1/4	22 3/8	26 1/2	32	5	2141
23 3/4	3/4	22 1/2	24 13/16	29 3/8	4	G1860
23 3/4	3/4	22 1/2	25	29 3/8	4	V-1860
24	1 5/8	22 1/2	23 7/8	31	6	2750
23 3/4	1 5/8	22 13/16	25 1/2	30	4 1/2	V-1866 Rev
24	1/2	23	25 1/4	29 1/4	4	1515
25	1	23 7/16	26 11/16	33 5/8	4	3710 Rev
25 1/4	1 1/2	23 1/2	26 3/4	29 1/2	4	2932 Rev
27 1/4	2 1/2	23 5/8	26	33 3/8	5	2870
26	1 1/2	23 7/8	25 1/2	33 1/2	4	2800
25 1/4	1	24	26 3/8	32	6	1847
25 1/4	1 1/2	24	26 1/2	32 1/8	4	V-1600-3 Rev
25 1/4	1 1/2	24	26 3/4	29 1/2	4	V-1624 Rev
25 5/8	1	24	27 3/8	32	5	1625 Rev
25 7/8	3/4	24	27	31	3 1/4	2920
26	1 3/8	24	27 3/8	34	4	2026
26	1 1/2	24	27 7/8	34	5	2450 Rev
26	1 1/2	24	27 1/4	34	4	2800Z1
26	2	24	27 5/8	39	5 1/2	1271 Rev
26 1/8	1 3/16	24	27 3/8	31	4	2224Z1 Rev
26	1	24 1/8	27 13/16	32 1/2	3 1/2	1154Z1
25 5/8	1 1/2	24 3/16	27 3/8	32	4	1854 Rev
25 1/2	1/2	24 1/4	26 5/8	31	4	1155 Rev

A	B	C	D	E	F	Catalog
Cover Dia.	Cover Thk.	Clear Open	Flange Slv. OD	Flange Dia.	Frame Ht.	Number
27 1/8	7/8	25 3/4	28	34 1/8	3 5/8	2790
27 7/8	1 3/8	26	29 3/4	38 1/4	4 3/8	2100 Rev
27 7/8	1 3/8	26	29 3/4	38 1/4	4 3/8	2101 Rev
27 7/8	1 1/2	26 3/8	29 5/8	32 1/2	4 1/8	V-1610-5
28 3/4	1 3/8	27	30 1/2	36	6	V-1827
30 3/4	1 1/2	28 1/4	32 1/8	34	2 1/4	2805
31 1/2	1 1/2	29 5/8	32 3/4	37 1/2	4	2230Z1 Rev
31 7/8	1 3/8	30	33 1/8	38	4	V-1600-4 Rev
31 7/8	1 3/8	30	32	36 5/8	6	V-1830-2
32	1 1/2	30	33 5/8	40 3/4	4 1/2	V-1816
32	1 1/2	30	33 11/16	38	4	1480 Rev
32	1 1/2	30	33 11/16	38	4	2810
32 3/4	2	30 1/8	32 1/4	39 1/2	6	2880
34	1 1/2	32 1/4	35 1/2	38 1/2	4	V-1610-6 Rev
34 1/4	1 1/2	32 3/16	35 9/16	38 1/2	4	1475 Rev
38	2	35 3/4	39 3/4	46	6	V-1600-5 Rev
38	1 1/2	36	37 7/8	46	4 1/2	2812
38 5/16	1 1/2	36	39 7/8	46	4 1/2	1581 Rev
38 5/16	1 1/2	36	39 7/8	46	4 1/2	2815
39 5/8	1 1/2	38 1/4	41 1/2	44 1/2	4	V-1610-7 Rev
44 1/4	2	41 3/4	46 1/4	52 1/2	4	1843Z2
45 3/4	1 1/2	43 3/4	47 3/4	50 1/2	4	V-1610-8 Rev
50 1/4	2	48	52	56 1/2	6	V-1600-6 Rev

Note: All dimensions are in inches.  
Rev = Reversible

**WATERTITE BASE FLANGE**



A	B	C	D	E	F	Catalog
Cover Dia.	Cover Thk.	Clear Open	Flange Dia.	Flange ID	Frame Ht.	Number
10 1/4	1 1/2	7 1/2	14 1/2	10 1/2	4	V-2610-1 Rev
8 13/16	5/8	8 1/8	15	7 3/4	4	3675
13 1/4	1 1/2	9 11/16	17 5/8	13 1/2	4	V-2610-2 Rev
11 1/4	1 5/16	9 3/4	20	13	8	1578
11 5/8	1	10 1/2	18	13 5/8	4	3661
11 13/16	1 1/8	10 5/8	18	13 7/8	8	1564
15	1 1/4	13 11/16	19	15 3/16	4 1/8	3678
16 1/4	1 1/2	14 3/8	20 1/2	16 1/2	4	1755
20 1/8	1 3/4	17 7/8	29 3/8	20 3/8	4 5/16	3718
20 1/8	1 3/4	17 7/8	29 3/8	20 3/8	4 5/16	3718 Rev
21 7/8	1 1/2	18 1/4	26 3/4	22 1/8	4	V-2610-4 Rev

Note: All dimensions are in inches.  
Rev = Reversible